

KEY FEATURES

- High power handling: 200 / 25 W_{AES} (LF / HF)
- High sensitivity: 94 / 102 dB (LF / HF)
- Low resonant frequency: 65 Hz
- Demodulating ring in LF unit
- CONEX Spider
- PM-4 diaphragm
- Common ferrite magnet system for both units
- Low weight and mounting depth
- 70° coverage horn for HF dispersion control
- Designed for compact cabinets

TECHNICAL SPECIFICATIONS

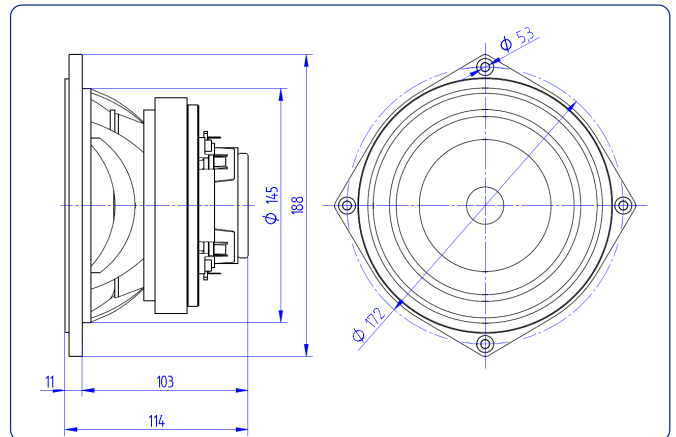
Nominal diameter	165 mm	6,5 in
Rated impedance (LF/HF)		8 / 8 Ω
Minimum impedance (LF/HF)		5,3 / 6 Ω
Power capacity* (LF/HF)	200 / 25 W _{AES}	
Program power (LF/HF)	400 / 50 W	
Sensitivity (LF/HF**)	94 dB 1W @ Z _N	
	102 dB 1W @ Z _N	
Frequency range	60 - 20.000 Hz	
Recom. HF crossover	3,5 kHz or higher	(12 dB/oct min slope)
Voice coil diameter (LF/HF)	50,8 mm	2 in
	25,4 mm	1 in
BL factor		9,15 N/A
Moving mass		0,014 kg
Voice coil length		13 mm
Air gap height		7 mm
X_{damage} (peak to peak)		32 mm

THIELE-SMALL PARAMETERS***

Resonant frequency, f_s	65 Hz
D.C. Voice coil resistance, R_e	4,9 Ω
Mechanical Quality Factor, Q_{ms}	5,1
Electrical Quality Factor, Q_{es}	0,34
Total Quality Factor, Q_{ts}	0,32
Equivalent Air Volume to C_{ms}, V_{as}	10,5 l
Mechanical Compliance, C_{ms}	408 μm / N
Mechanical Resistance, R_{ms}	1,13 kg / s
Efficiency, η₀	0,8 %
Effective Surface Area, S_d	0,0135 m ²
Maximum Displacement, X_{max} ****	5 mm
Displacement Volume, V_d	64 cm ³
Voice Coil Inductance, L_e @ 1 kHz	0,3 mH



DIMENSION DRAWINGS



MOUNTING INFORMATION

Overall diameter	188 mm	7,40 in
Bolt circle diameter	172 mm	6,77 in
Baffle cutout diameter:		
- Front mount	145 mm	5,72 in
Depth	106 mm	4,17 in
Volume displaced by driver	0,55 l	0,02 ft ³
Net weight	3,6 kg	7,9 lb
Shipping weight	4,0 kg	8,8 lb

Notes:

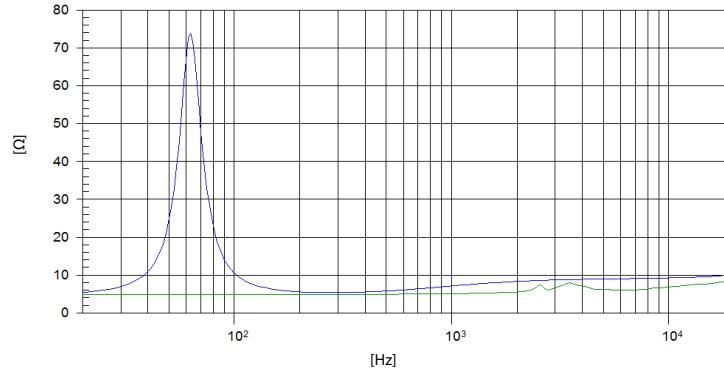
* The power capacity is determined according to AES2-1984 (r2003) standard. Program power is defined as the transducer's ability to handle normal music program material.

** Sensitivity was measured at 1m distance, on axis, with 1W input, averaged in the range 1 - 7 kHz.

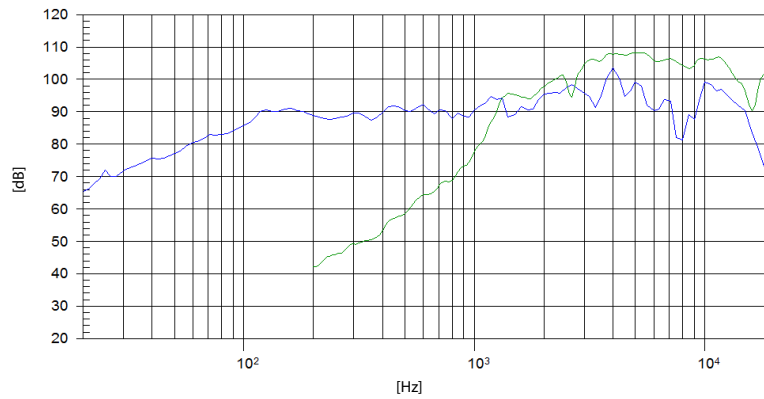
*** T-S parameters are measured after an exercise period using a preconditioning power test. The measurements are carried out with a velocity-current laser transducer and will reflect the long term parameters (once the loudspeaker has been working for a short period of time).

**** The X_{max} is calculated as (L_{vc} - H_{ag})/2 + (H_{ag}/3,5), where L_{vc} is the voice coil length and H_{ag} is the air gap height.

FREE AIR IMPEDANCE CURVE

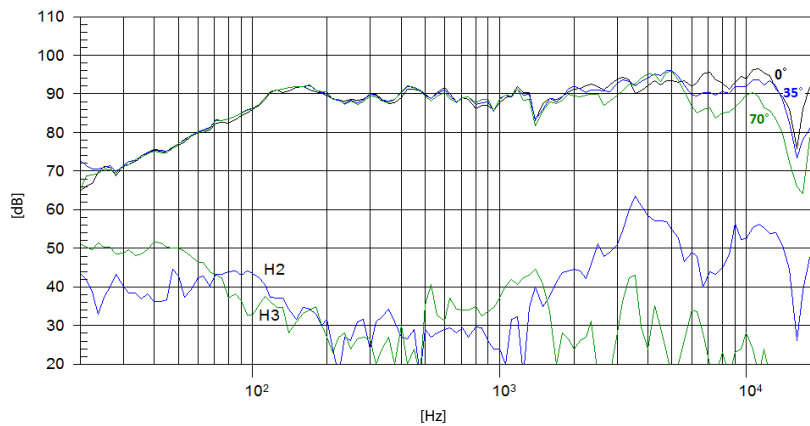


FREQUENCY RESPONSE



Note: On axis frequency response measured with loudspeaker standing on infinite baffle in anechoic chamber, 1W @ 1m

FILTERED AND OFF-AXIS FREQUENCY RESPONSE



Note: Filtered frequency response measured with loudspeaker standing on infinite baffle in anechoic chamber, 1W @ 1m with FD-2CX/Fe