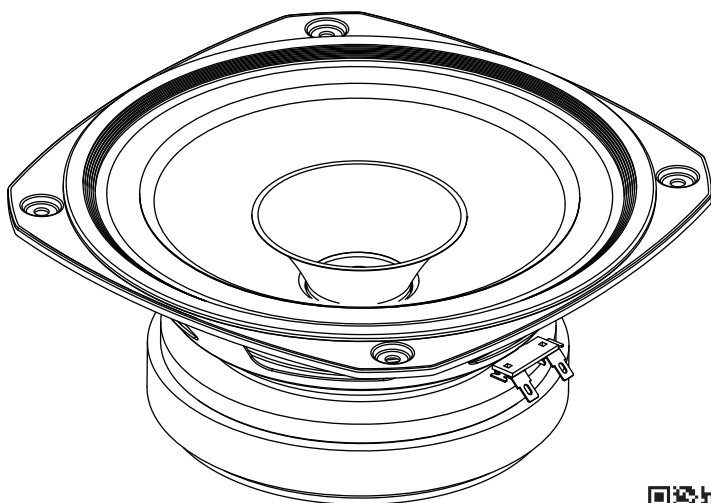


Fostex

FE206NV

20cm Fullrange speaker unit



Application Sheet

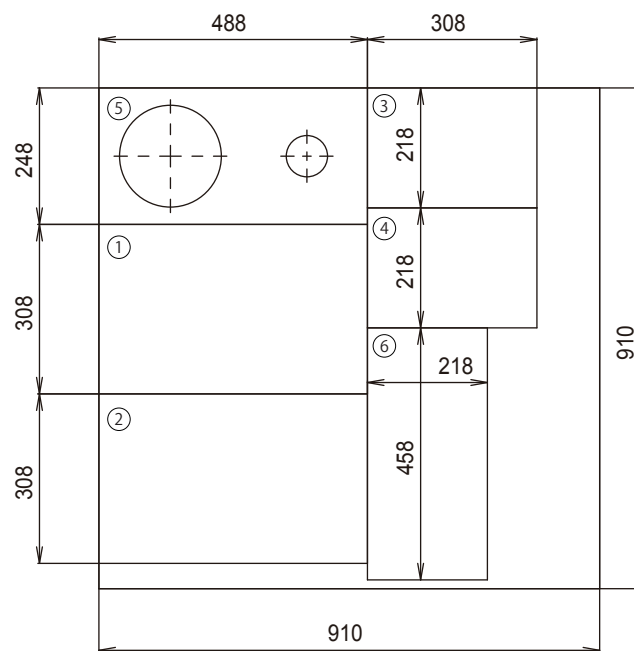
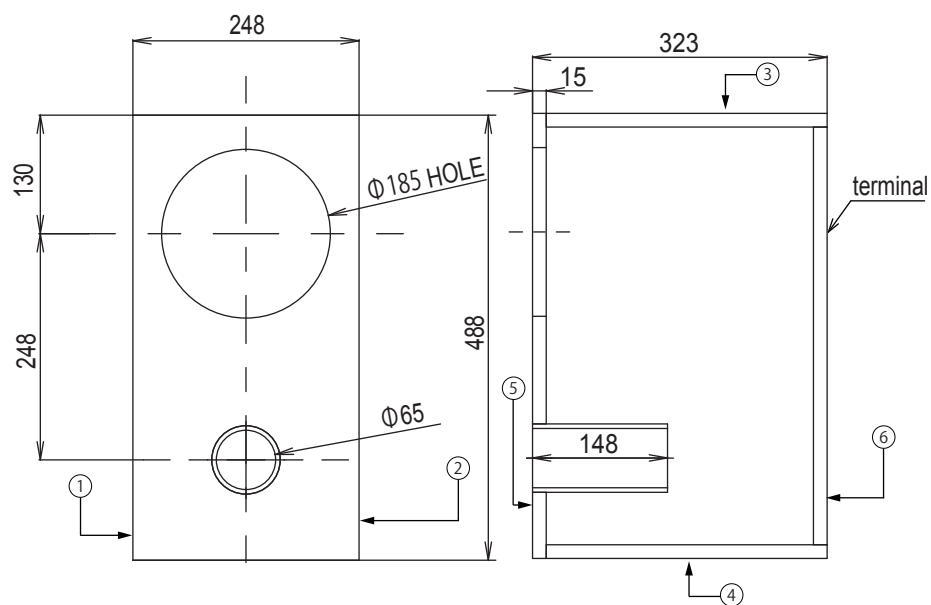


Fostex

www.fostex.jp/products/fe206nv

In accordance with our policy of continuous development, we reserve the right to change specifications without notice Printed in China 638120

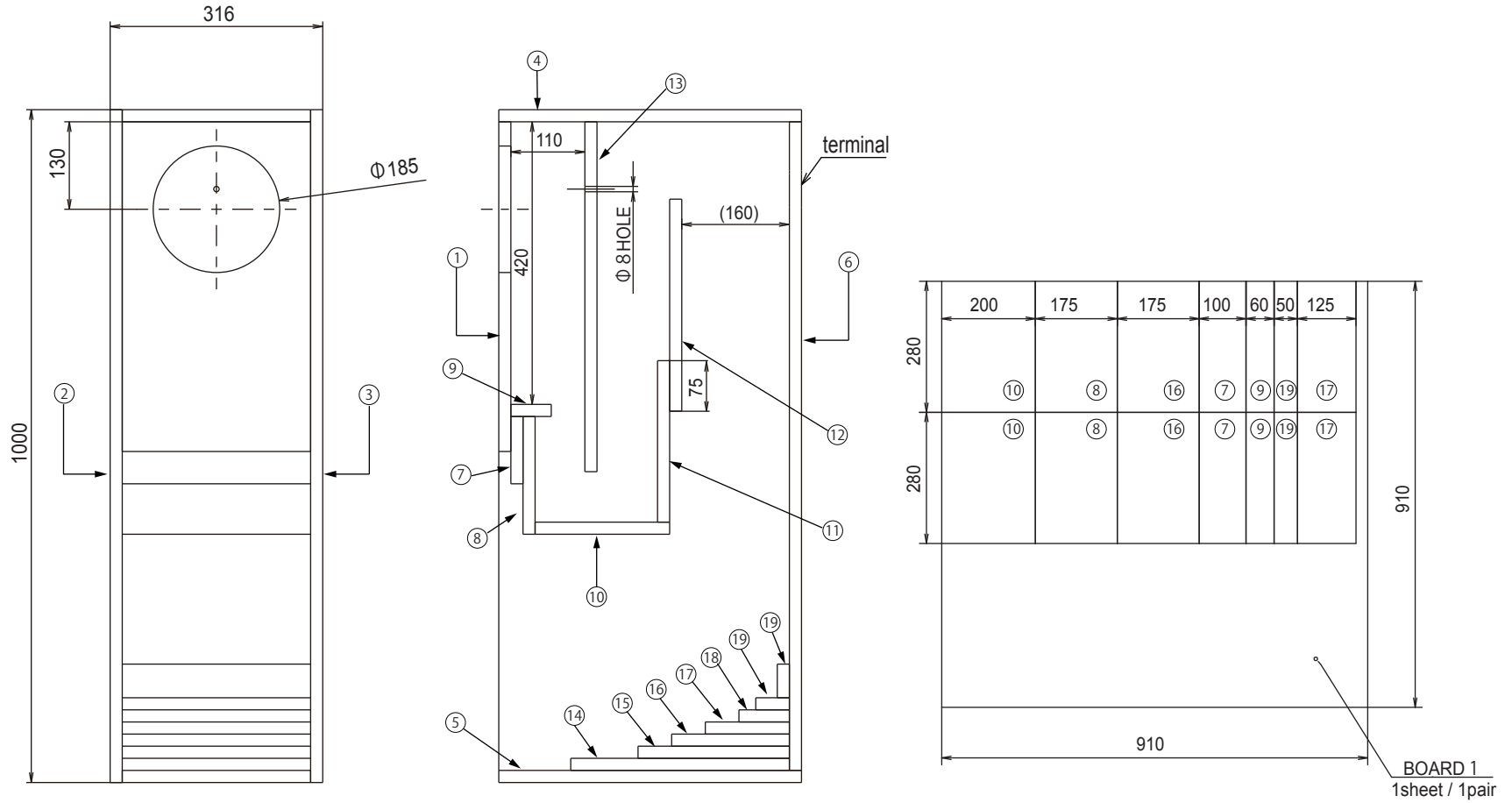
Bass Reflex type Enclosure



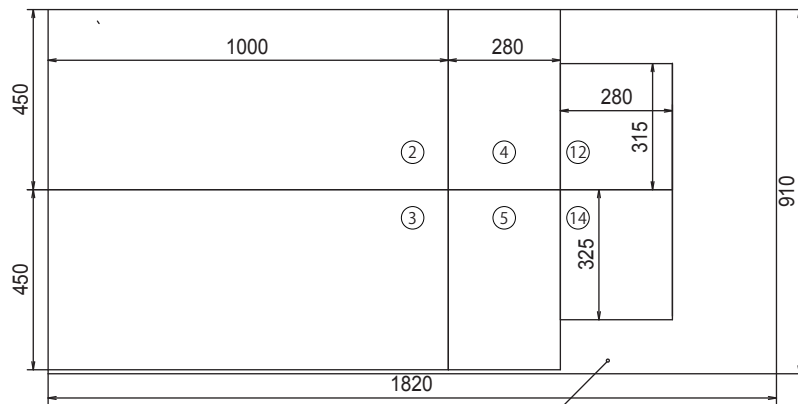
thickness : 15mm

※Please visit our website for more details.

Backloaded horn type Enclosure

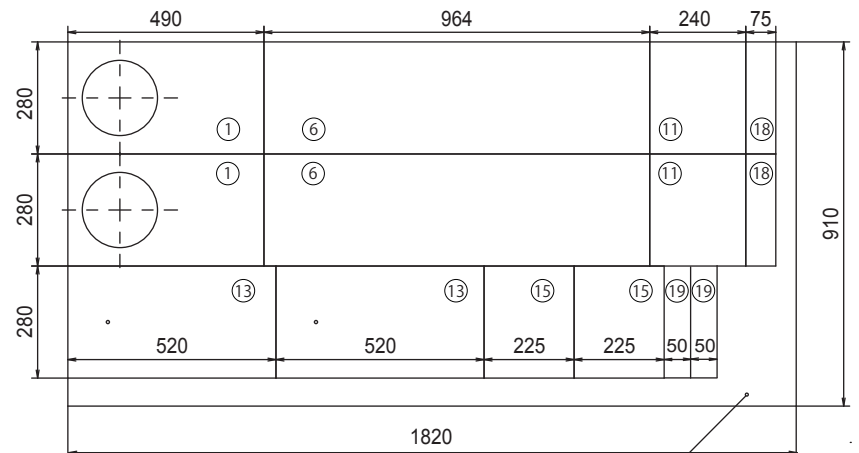


BOARD 1
1sheet / 1pair



BOARD 2
2sheets / 1pair

thickness : 18mm



BOARD 3
1sheet / 1pair

※ Please visit our website for more details.