

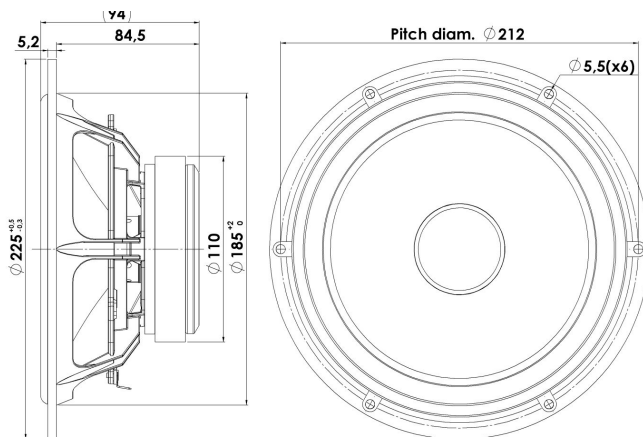


DISCOVERY

WOOFER

22W/4534G00

The Discovery series offer traditional design, superior sound, a solid construction, and a wide range of variants. Combining these elements - plus a wealth of technical features and finesses - it gives our customers the possibility of acquiring a tailor-made Scan-Speak solution with very good performance at a reasonable low price point!



KEY FEATURES:

- High Output 92,5dB @ 2,83V
- Coated NRSC Fibre Glass Cone
- Low Damping SBR Rubber Surround
- Low Resonance Freq. 30Hz
- Magnet System w. Alu Ring
- Die cast Alu Chassis vented below spider

T-S Parameters

Resonance frequency [fs]	30 Hz
Mechanical Q factor [Qms]	3.70
Electrical Q factor [Qes]	0.37
Total Q factor [Qts]	0.34
Force factor [Bl]	6 Tm
Mechanical resistance [Rms]	1.19 kg/s
Moving mass [Mms]	23.7 g
Compliance [Cms]	1.23 mm/N
Effective diaph. diameter [D]	173 mm
Effective piston area [Sd]	235 cm ²
Equivalent volume [Vas]	95.0 l
Sensitivity (2.83V/1m)	92.4 dB
Ratio Bl/√Re	3.46 N/√W
Ratio fs/Qts	88 Hz

Notes:

IEC specs. refer to IEC 60268-5 third edition.
All Scan-Speak products are RoHS compliant.
Data are subject to change without notice.
Datasheet updated: January 30, 2013.

Electrical Data

Nominal impedance [Zn]	4 Ω
Minimum impedance [Zmin]	3.7 Ω
Maximum impedance [Zo]	33.0 Ω
DC resistance [Re]	3 Ω
Voice coil inductance [Le]	0.33 mH

Power Handling

100h RMS noise test (IEC 17.1)	70 W
Long-term max power (IEC 17.3)	120 W

Voice Coil & Magnet Data

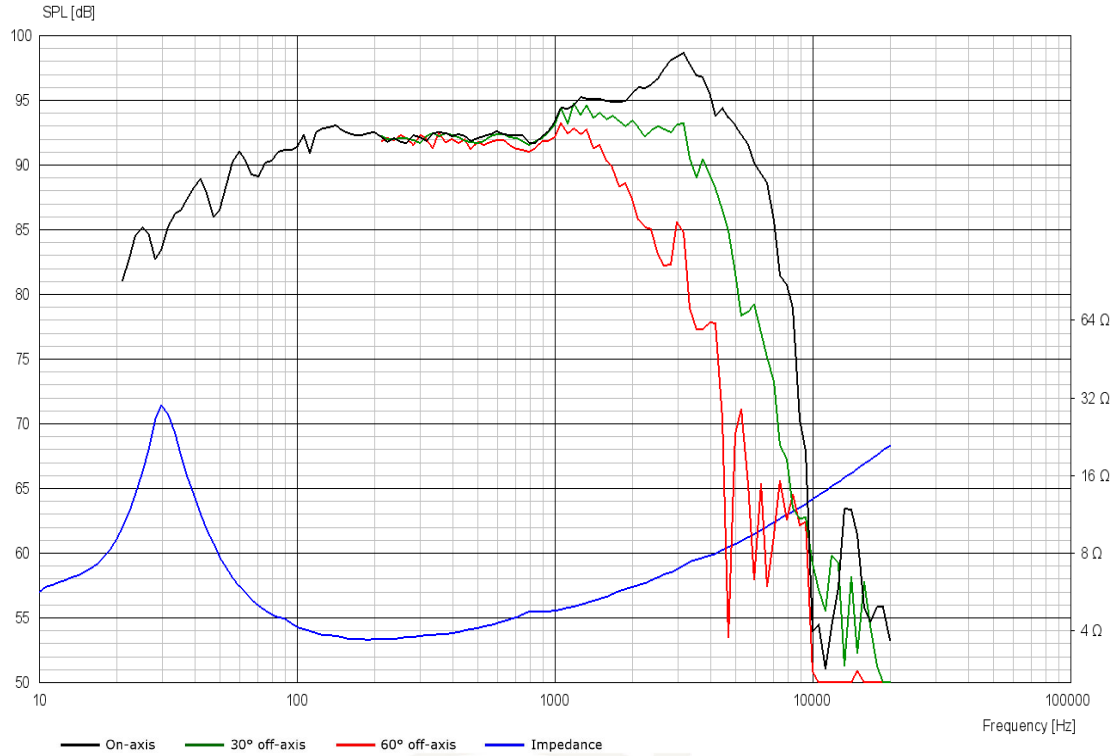
Voice coil diameter	38 mm
Voice coil height	17.3 mm
Voice coil layers	2
Height of gap	6 mm
Linear excursion	± 5.7 mm
Max mech. excursion	± 12 mm
Unit weight	2.1 kg



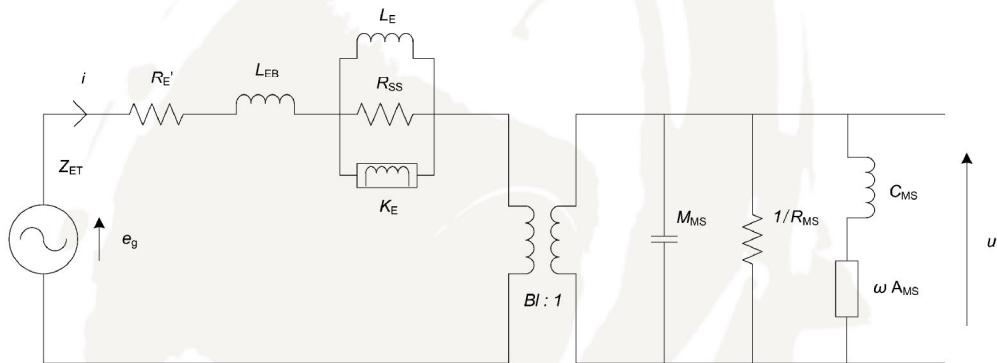


WOOFER

22W/4534G00



Advanced Parameters (Preliminary)



Electrical data

Resistance [R _{E'}]	3.18 Ω
Free inductance [L _{EB}]	0.078 mH
Bound inductance [L _E]	2.13 mH
Semi-inductance [K _E]	0.030 SH
Shunt resistance [R _{SS}]	297 Ω

Mechanical Data

Force Factor [BI]	6.19 Tm
Moving mass [M _{MS}]	26.3 g
Compliance [C _{MS}]	0.95 mm/N
Mechanical resistance [R _{MS}]	1.53 kg/s
Admittance [A _{MS}]	0.18 mm/N