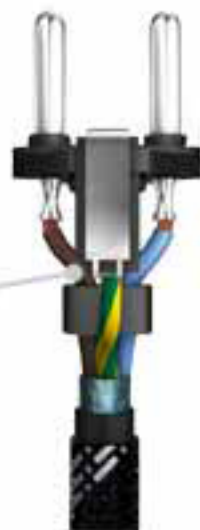


In-Plug Filter

A ferrite filter is integrated in the plug of the power bar. This In-Plug Filter blocks interference from the network directly at the socket.

In-Plug Filter made of special Ferrite

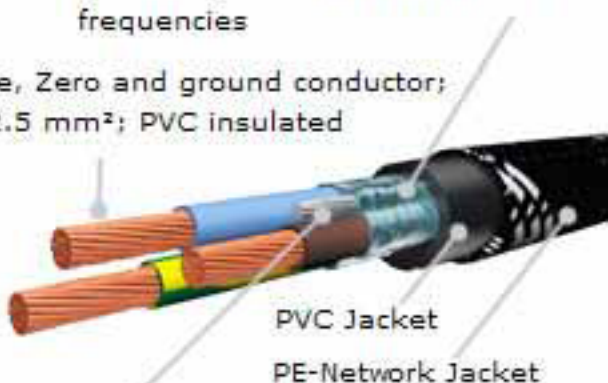


3 x 2.5mm² cable, mylar foil shielded

So that no new interference occurs because of the antenna effect of the cables, the power cable and the power bar are fully screened and shielded. Thus, a cleaned current is supplied to the appliances.

Foil shielding: 100% shielded for protection from high interfering frequencies

Phase, Zero and ground conductor; 3 x 2.5 mm²; PVC insulated



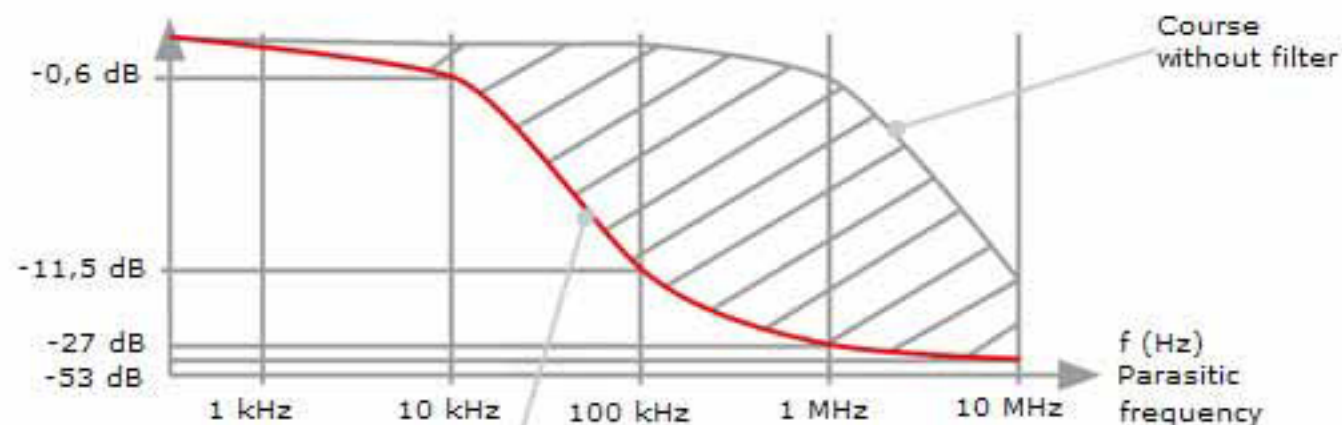
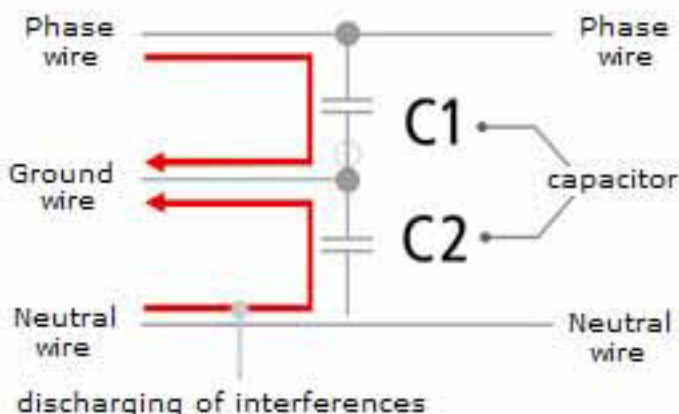
PVC Jacket

PE-Network Jacket

Additional conductor for shielding; tin plated; 2.5 mm²

2Y-Filter

The 2Y-Filter is made of two capacitors which discharge interferences from the main conductors to ground. This filter works parallel to the conductors so that there are no additional losses.



Course with special ferrite filter. Clearly visible is the suppression of high interfering frequencies.