

### KEY FEATURES

- High power handling: 1.000 W program power
- 2,5" copper wire voice coil
- Malt Cross<sup>®</sup> Cooling System
- Low power compression looses
- High sensitivity: 98 dB
- FEA optimized magnetic circuit
- Designed with MMSS technology for high control, linearity and low harmonic distortion
- Aluminum demodulating ring
- Waterproof cone treatment on both sides of the cone
- Extended controlled displacement ( $X_{max}$ ): 8 mm
- $X_{damage} \pm 40$  mm
- Weight 6,2 kg
- Optimized for 2 or 3 way PA systems and line array applications

### TECHNICAL SPECIFICATIONS

Nominal diameter	380 mm	15 in
Rated impedance		8 $\Omega$
Minimum impedance		6,6 $\Omega$
Power capacity*		500 W <sub>AES</sub>
Program power		1.000 W
Sensitivity	98 dB	@ 1W @ Z <sub>N</sub>
Frequency range		40 - 4.000 Hz
Recom. enclosure vol.	60 / 150 l	2,10 / 5,25 ft <sup>3</sup>
Voice coil diameter	63,5 mm	2,5 in
BI factor		18,25 N/A
Moving mass		0,098 kg
Voice coil length		19,5 mm
Air gap height		10 mm
$X_{damage}$ (peak to peak)		40 mm

### MOUNTING INFORMATION

Overall diameter	388 mm	15,28 in
Bolt circle diameter	370 mm	14,57 in
Baffle cutout diameter:		
- Front mount	349,5 mm	13,76 in
Depth	170 mm	6,70 in
Net weight	6,2 kg	13,7 lb
Shipping weight	7,2 kg	15,9 lb

#### Notes:

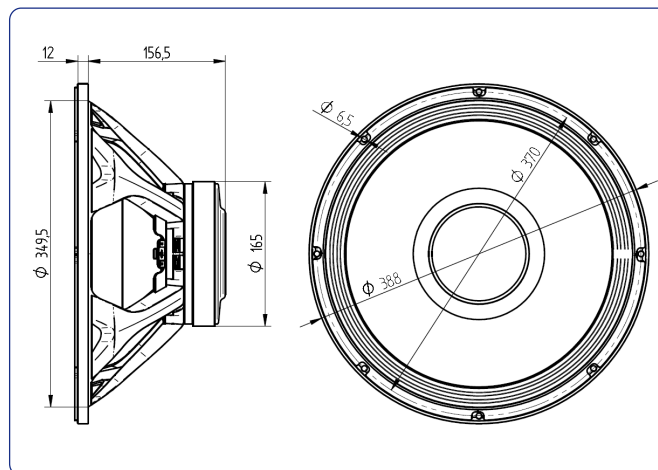
\* The power capacity is determined according to AES2-1984 (r2003) standard. Program power is defined as the transducer's ability to handle normal music program material.

\*\* T-S parameters are measured after an exercise period using a preconditioning power test. The measurements are carried out with a velocity-current laser transducer and will reflect the long term parameters (once the loudspeaker has been working for a short period of time).

\*\*\* The  $X_{max}$  is calculated as  $(L_{vc} - H_{ag})/2 + (H_{ag}/3,5)$ , where  $L_{vc}$  is the voice coil length and  $H_{ag}$  is the air gap height.



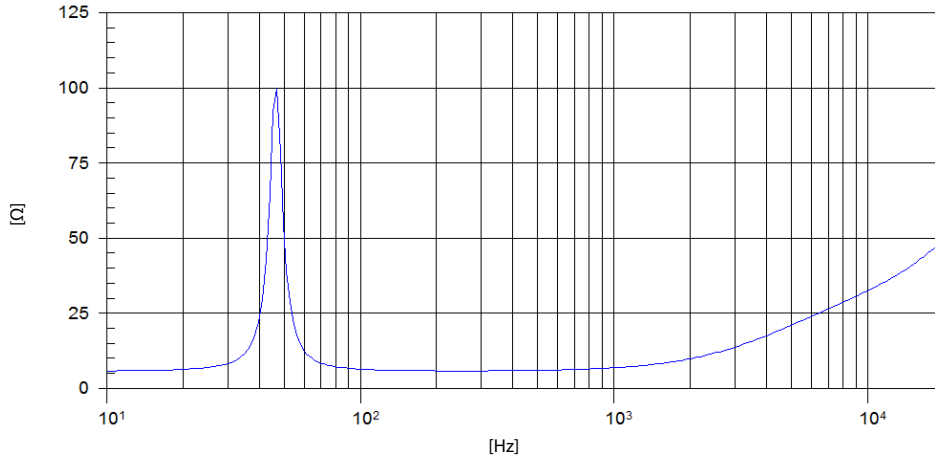
### DIMENSION DRAWINGS



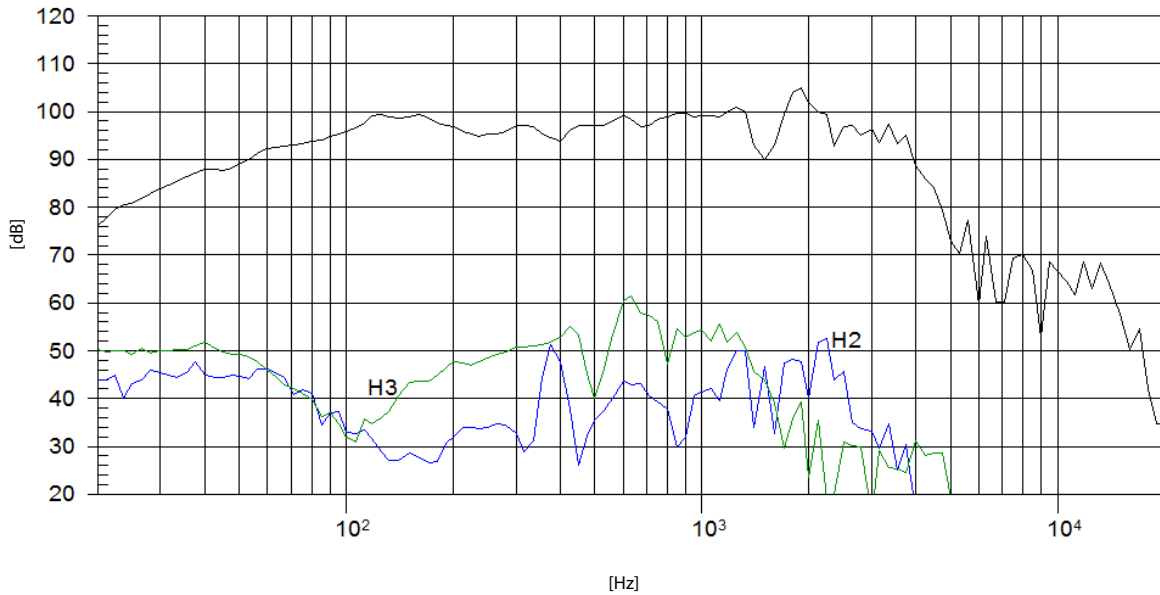
### THIELE-SMALL PARAMETERS\*\*

Resonant frequency, $f_s$	46 Hz
D.C. Voice coil resistance, $R_e$	5,7 $\Omega$
Mechanical Quality Factor, $Q_{ms}$	8
Electrical Quality Factor, $Q_{es}$	0,49
Total Quality Factor, $Q_{ts}$	0,46
Equivalent Air Volume to $C_{ms}$ , $V_{as}$	131,5 l
Mechanical Compliance, $C_{ms}$	120 $\mu\text{m} / \text{N}$
Mechanical Resistance, $R_{ms}$	3,5 kg / s
Efficiency, $\eta_0$	2,55 %
Effective Surface Area, $S_d$	0,088 m <sup>2</sup>
Maximum Displacement, $X_{max}$ ***	8 mm
Displacement Volume, $V_d$	704 cm <sup>3</sup>
Voice Coil Inductance, $L_e$	1,15 mH

### FREE AIR IMPEDANCE CURVE



### FREQUENCY RESPONSE AND DISTORTION



**Note:** On axis frequency response measured with loudspeaker standing on infinite baffle in anechoic chamber, 1W @ 1m