



IN ADMIRATION OF MUSIC

**DALI PHANTOM**



DALI PHANTOM E-50



The enjoyment of music is the cornerstone of everything we do. Our mission is to bring a high quality audio experience to you regardless the circumstances.

We know that finding space for traditional boxed loudspeakers in a room is sometimes not possible, requiring speakers to be discreetly hidden away in either the ceiling or walls. With DALI's custom install range of loudspeakers, the DALI PHANTOM Series, we now offer more options than ever before to have the traditional DALI boxed speakers' high quality sound performance without having to give up valuable living room real estate.

## DALI PHANTOM S Series

The DALI PHANTOM S series offers the ultimate in performance when it comes to custom install loudspeakers, offering a no-compromise in-wall audio solution. With the use of proven speaker technologies, such as solid MDF front baffle, wood fibre cones, low-loss surround, and superior magnet design combined with our latest innovation, including SMC pole piece and our signature hybrid tweeter module, the PHANTOM S series really stands out from the crowd.

### DALI PHANTOM S-280

The S-280 is truly a flagship in-wall speaker. This impressive unit combines an optimised rotatable hybrid tweeter module with two 8" bass/mid-range woofers and no less than two 10" passive drivers. Clean, coherent, detailed, powerful and room filling sound is what this speaker is all about. If you are looking for a no compromise performance in an in-wall speaker the PHANTOM S-280 delivers!

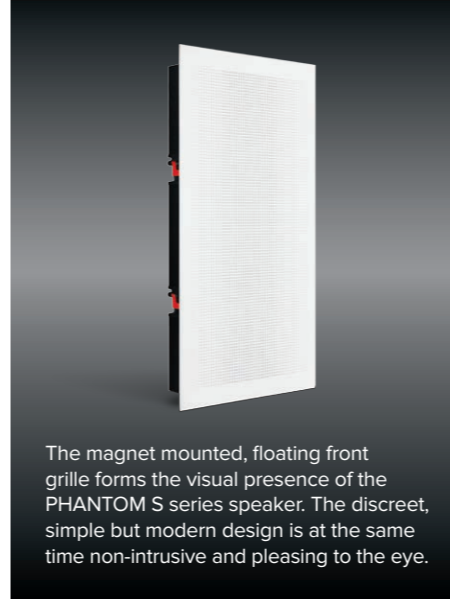


The primary 8" woofer is optimised for both bass and mid-range performance, and to ensure the best possible bass performance with the two larger models in the series, we have paired a 10" passive woofer with the primary woofer(s). This results in a full frequency response similar to that of a boxed floor standing speaker.

The ultra slim cabinet design fits into almost any standard wall. All models are built around a rotatable hybrid tweeter module making them easy to install for any audio use – be it stereo, centre channel or surround.

### DALI PHANTOM S-180

The S-180 combines the 8" primary woofer with a larger 10" passive driver. This combination enables the PHANTOM S-180 to reach even deeper down in the lower frequencies and reproduces the audio signals on par with a traditional floor standing speaker. Despite this, it is still a compact speaker that is just perfect as front or centre speaker in your audio system.



The magnet mounted, floating front grille forms the visual presence of the PHANTOM S series speaker. The discreet, simple but modern design is at the same time non-intrusive and pleasing to the eye.



The terminals are placed directly on the crossover for the shortest possible signal path, and the spring loaded grip ensures the best possible long lasting connection to the speaker wire.



The woofer magnet penetrates the back of the cabinet allowing for long-throw 8" woofer. A soft rubber gasket surrounds the magnet and keeps the cabinet completely airtight, whilst keeping the construction strong and resonant free.

### DALI PHANTOM S-80

Compact yet powerful, with its 8" bass/mid-range woofer working in combination with the rotatable hybrid tweeter module, the PHANTOM S-80 delivers a clear and very well defined audio reproduction, including surprising bass performance. The relative compactness of the PHANTOM S-80 makes it perfect for any placement in your audio system - front, centre, rear or height speakers.



### DALI SMC Technology

SMC (Soft Magnetic Compound) have the unique ability of delivering very high magnetic conductivity and very low electrical conductivity, thereby dramatically lowering the effects of hysteresis and eddy currents around the pole piece, whilst at the same time delivering all the wanted qualities of a good speaker magnet system. The result is a significant lowering of the effects of mechanical distortion in the reproduced sound.





Front speakers: DALI PHANTOM S-180  
Centre speaker: DALI PHANTOM S-80

## DALI PHANTOM H series

The DALI PHANTOM H series is an in-wall speaker range built around traditional speaker technologies. At its core is the widely recognisable DALI woofer cone made from a mix of paper pulp and wood fibre. This gives the cone a light, well behaved, but random structure that helps reproduce even the smallest details in the music. The powerful low-loss magnet system delivers precision and timing to the low frequencies and the ultra-lightweight soft dome tweeter adds great resolution to the high frequencies. Together, they blend into a very coherent, highly detailed, clear and natural soundstage. The PHANTOM H series offers true full range performance without the necessity of adding a subwoofer for bass support.

### DALI PHANTOM H-120

The totally unique PHANTOM H-120 in-wall loudspeaker brings the best from a traditional big floor standing loudspeaker, but is mounted in your wall. With an unprecedented 12" woofer to deliver deep and powerful bass, and a separate 5" woofer to handle the important mid-range area, this 3-way speaker delivers like no other in-wall loudspeaker in the world. Perfect for installations where normal floor-standing speakers or an external subwoofer cannot be used, or when deep, room filling bass is essential.



DALI PHANTOM H-60

### DALI PHANTOM H-80

The PHANTOM H-80 is the loudspeaker of choice, when large, dynamic and well-defined sound really matters. The sound performance is clear, detailed and yet controlled and powerful. As for the soundstage, it will extend into every corner of even larger rooms.

### DALI PHANTOM H-60

The PHANTOM H-60 provides the perfect balance between size and performance, producing a full and complete audio experience in mid-sized rooms. The PHANTOM H-60 is equipped with a 6.5" woofer and designed for optimum in-wall use, but can also be mounted in the ceiling.



DALI PHANTOM H-50

### DALI PHANTOM H-50

The compact PHANTOM H-50 delivers impressive clarity, and despite its size it manages to generate a great deal of bass. It will easily fill small rooms with great sound in a stereo or surround setup. The PHANTOM H-50 is equipped with a 5.25" woofer and designed for optimum in-wall use, but can also be mounted in the ceiling.



## DALI PHANTOM E series

The DALI PHANTOM E-series is designed for optimum in-ceiling use, but can also be mounted for in-wall solutions. The compact sized construction and the easy-to-use compass positioning system makes placing the speaker for the optimum sound experience extremely simple. Two discreet switches offer audio adjustment options to ensure that the listener gets the most from the speakers, even in rooms that traditionally are difficult to handle acoustically.

The tilted woofer and the slightly off centre soft dome tweeter blends gracefully and produces a richly detailed and crisp soundstage. The polypropylene cone is more resilient towards humidity than the traditional DALI cone material – wood fibre, making the PHANTOM E-series flexible in regards to placements in covered outdoor areas and bathrooms. Optionally, the PHANTOM E-series can be fitted with a square front grill.

### Back box option for E-60

The PHANTOM E-60 can also be combined with the DALI back-box to protect against moisture and dust, keeping the sound quality consistent, and eliminates rear sound radiation.



### DALI PHANTOM E-80

With the PHANTOM E-80, it's all about big sound. Drawing on every part of its 8" woofer, it will fill even very large rooms with sound. This makes it perfect as the main loudspeakers in a living room setup for either a stereo setup or a surround system.

### DALI PHANTOM E-60

This model is the perfect all-around loudspeaker. Easy to place, but big enough to deliver a full and complete audio experience. Use it for a stereo setup in a kitchen or family room, or to complete a surround setup in a larger room as side or rear loudspeakers.



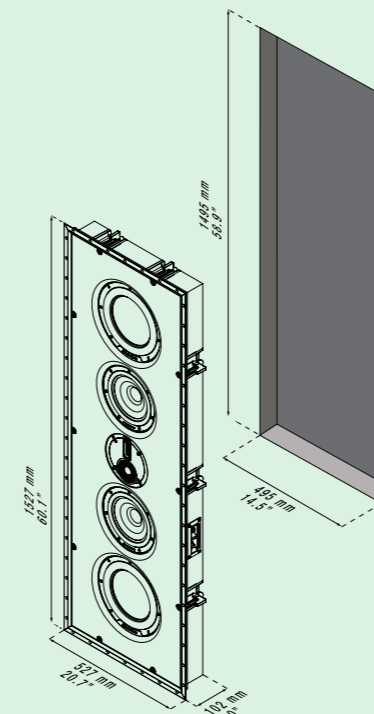
DALI PHANTOM E-50

### DALI PHANTOM E-50

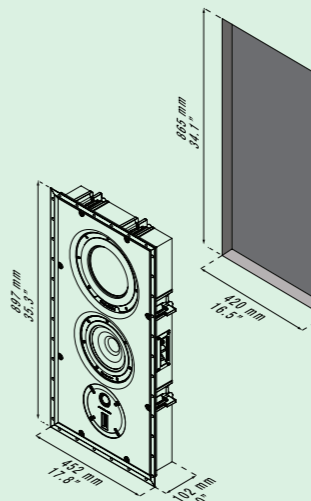
This compact in-ceiling loudspeaker delivers an incredible clear and well-defined audio experience, and impresses with the level of bass it can produce, despite its size. The size makes it perfect for a stereo setup in a small room, or as rear loudspeakers in a larger room in a surround setup.

## CUT-OUT Dimensions

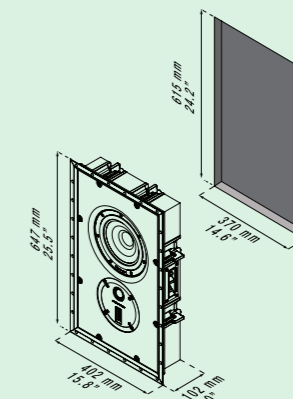
### DALI PHANTOM S-series



DALI PHANTOM S-280



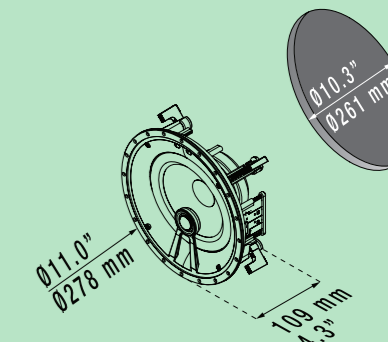
DALI PHANTOM S-180



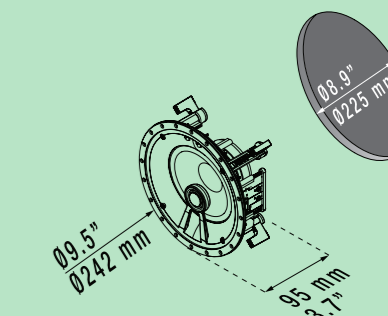
DALI PHANTOM S-80

When the ideal speaker placement is located, carefully cut out the wall or ceiling using the supplied template as a guide, fasten the cable inside the ceiling/wall and carefully connect the cables between the speaker and your amplifier. Always turn on your stereo and listen to music before final mounting is completed. Insert the loudspeaker into the wall/ceiling opening, align the loudspeaker, and be careful not to touch the drivers during installation. Then just tighten the screws in the brackets. Done!

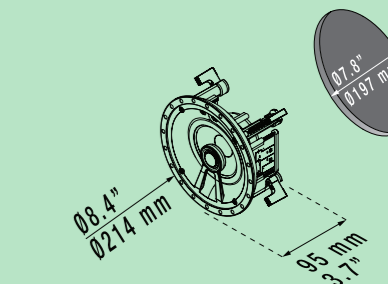
### DALI PHANTOM E-series



DALI PHANTOM E-50

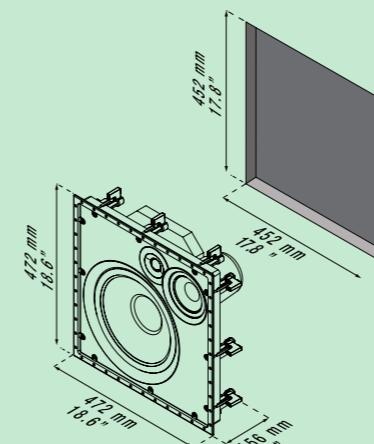


DALI PHANTOM E-60

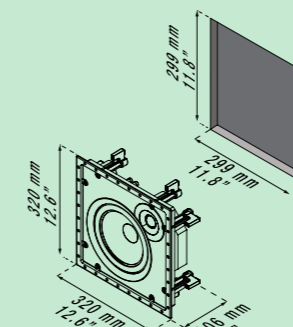


DALI PHANTOM E-80

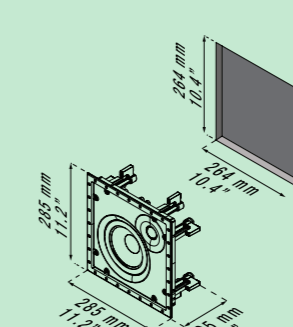
### DALI PHANTOM H-series



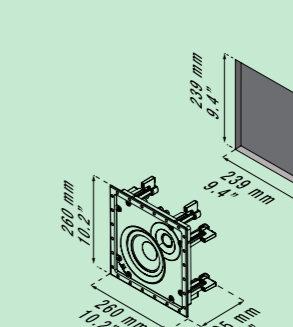
DALI PHANTOM H-120



DALI PHANTOM H-80



DALI PHANTOM H-60



DALI PHANTOM H-50



## BEFORE Installation

The DALI range of install speakers offer a variety of options and are the ultimate solution for a concealed sound source. With “invisible” speakers, listeners and viewers are allowed to focus on the musical event and/or the on-screen action. So if properly fitted and fixed, the audio performance can fully match that of a traditional floor standing or shelf speaker.



DALI Wide Dispersion design principle

### SOUND TIPS

- DALI in-wall speakers benefit from DALI's Wide Dispersion design principle providing a well-balanced sound and a uniform sound field throughout the listening area.
- DALI's in-ceiling solutions allow you to spread sound evenly in areas that are inaccessible with conventional box speakers.
- Once installed, in-wall speakers are even shallower than your flat panel screen.
- In-wall speakers offer the same audio system configuration options as traditional box speakers, including 2.0, 2.1, 5.1, 6.1.

### PLACEMENT TIPS

- Make sure there is sufficient space behind the wall/ceiling surface to accept the full depth of the in-wall speaker.
- Bear in mind that the cut out dimensions are smaller than the speaker itself, so measure twice and cut once.
- If for any reason, there is insufficient space inside the wall for in-wall speakers, you can alternatively build a false wall mounted on the wall using studs and gypsum board or similar construction panels. This solution also allows you the option of flush-mounting your flatscreen TV in the false wall for a complete, discreet system.
- Please take special care with cabling. If long cable runs are required (in excess of 15 metres), use cables with sufficient cross section of minimum 1.5 sq. mm (maximum AWG 16).
- For the optimal listening experience, always mount the in-wall speakers well away from room corners in order to minimise the deleterious effects of hard, direct sound reflections.

### X Solution optimised for (X) Solution works fine

#### Possible Sound Application by model:

	PHANTOM E-50	PHANTOM E-60	PHANTOM E-80	PHANTOM H-50	PHANTOM H-60	PHANTOM H-80	PHANTOM H-120	PHANTOM S-80	PHANTOM S-180	PHANTOM S-280
Front speakers (left/right)	✓	✓	✓	✓	✓	✓	✓	✓	✓	✓
Rear/Surround speakers (left/right)	✓	✓	✓	✓	✓	✓	✓	✓	✓	✓
Centre speakers	✓	✓	✓	✓	✓	✓	✓	✓	✓	✓

#### Possible Placement by model:

	PHANTOM E-50	PHANTOM E-60	PHANTOM E-80	PHANTOM H-50	PHANTOM H-60	PHANTOM H-80	PHANTOM H-120	PHANTOM S-80	PHANTOM S-180	PHANTOM S-280
In walls	(S)	(S)	(S)	✓	✓	✓	✓	✓	✓	✓
In ceilings	✓	✓	✓	(S)	(S)	(S)	(S)	(S)	(S)	(S)

#### Backbox features:

	PHANTOM E-50	PHANTOM E-60	PHANTOM E-80	PHANTOM H-50	PHANTOM H-60	PHANTOM H-80	PHANTOM H-120	PHANTOM S-80	PHANTOM S-180	PHANTOM S-280
Backbox available as accessory		✓								
Integrated cabinet								✓	✓	✓

#### Accessory Options:

	PHANTOM E-50	PHANTOM E-60	PHANTOM E-80	PHANTOM H-50	PHANTOM H-60	PHANTOM H-80	PHANTOM H-120	PHANTOM S-80	PHANTOM S-180	PHANTOM S-280
Square front grill	✓	✓	✓							

#### Installation features:

	PHANTOM E-50	PHANTOM E-60	PHANTOM E-80	PHANTOM H-50	PHANTOM H-60	PHANTOM H-80	PHANTOM H-120	PHANTOM S-80	PHANTOM S-180	PHANTOM S-280
New buildings	✓	✓	✓	✓	✓	✓	✓	✓	✓	✓
Retrofit - can be front mounted	✓	✓	✓	✓	✓	✓	✓	✓	✓	✓



DALI PHANTOM E-60

## DALI Subwoofers

A DALI subwoofer provides the link between the sound of standard audio reproduction and the sound of reality! In a home cinema multi-channel surround system the purpose of a subwoofer is to provide the bass tones that let you experience the true fidelity of wideband multi-channel recordings.

A DALI subwoofer will also be able to blend-in perfectly with any existing stereo main speaker system. In this way the lowest missing octaves will be added to a compact speaker system, thereby converting it into a perfectly balanced full-frequency range system.

DALI subwoofers contradict the common (and sometimes reasonable) prejudice against boomy bass boxes. When properly installed, a DALI subwoofer will enable any sound system to reach a higher fidelity!

### DALI SUB M-10

The DALI SUB M-10 D is a dedicated for home cinema sub featuring a "cinema mode" option to bring added punch into your movie experience. With a down-firing woofer, the SUB M-10 D easily reflects the bass out in the room enabling the perfect room integration. A 10 inch long stroke design woofer, featuring rigid carbon fibre cones and massive magnet system, are fitted into an elegantly styled, compact enclosure combined with a powerful digital amplifier with a dynamic output of 500W RMS.

### DALI SUB K-14

Whether the task is to fill the room with stereo music or to feel the tremor from a movie sound track, the DALI SUB K-14 F will deliver! Built around a 14" aluminium long-stroke woofer and with 500 watt Class-D amplifier, the DALI SUB K-14 F has the power and the control to complete any stereo or multi-channel set-up.

### DALI SUB E-12 F

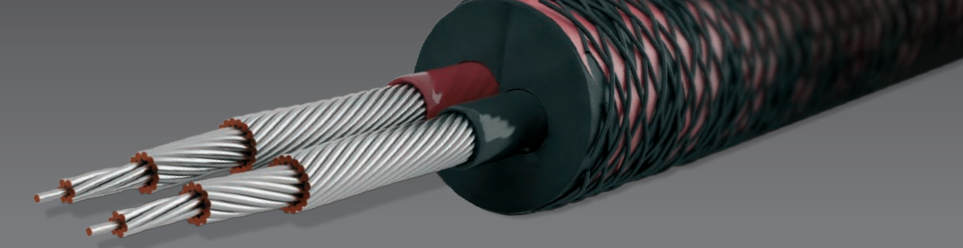
The heart of this subwoofer is the 12" aluminium long-stroke driver, powered by an ultra-efficient Class-D amplifier. The SUB E-12 F delivers a seamless low frequency extension of your AV system, and a powerful, well-balanced bass reproduction. The aluminium cone woofer is capable of moving plenty of air with power and piston precision.



See the full DALI subwoofer range on [dali-speakers.com](http://dali-speakers.com)

## DALI CONNECT cables

To achieve the ultimate audio experience, we make use of true concentric stranding, a principle used for internal cabling in DALI speakers for more than three decades. Layers of carefully selected insulation create a uniform pressure on the ultra-pure conductors, effectively eliminating any acoustic memory of the insulating material.



Every CONNECT SC cable from the F222C and all the way up to the RM230ST is made with installation in mind. The F222C has a high number of conductor strands and together with the high quality of the copper it is perfect for use at long distances. Another feature is the slightly ridged outer layer that makes the cable easy to run through piping. The RM series of cables add to the quality by using more strands, silver plating and FEP inner shielding, and the outer mesh makes it very easy to run these very high quality cables in internal piping.

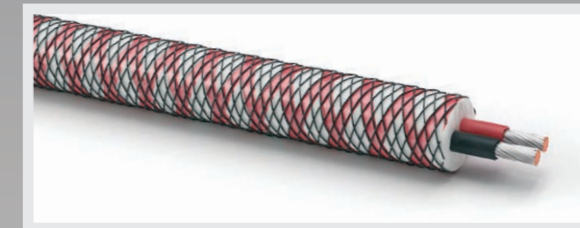
### DALI CONNECT SC RM230ST – Ultra Transparent Speaker Cable

This cable will take you a great step closer to the sound of authenticity. The high purity FEP inner shielding keeps the conduction bundles in a vice grip, offering an impressively low dielectric absorption. The elements that make up this unique speaker cable are 0.23 mm silver plated copper wires, true concentric stranding, FEP inner shielding, and a polyethylene (PE) outer shielding which all bring their individual contribution towards achieving DALI's goal of uncoloured, clear and well-defined sound.



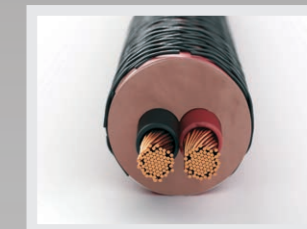
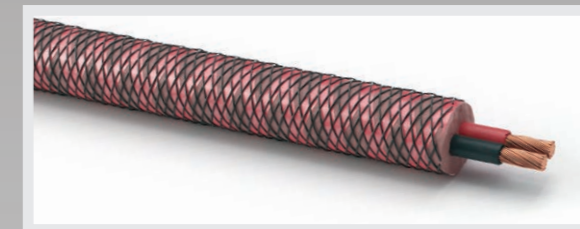
### DALI CONNECT SC RM230S – Absolute Clarity Speaker Cable

Each of the 74 strands of copper wire is silver plated to help improve performance in the ultra high frequencies, adding just that extra bit of clarity to complete the perfect experience. Together with the outer mesh look this cable is the perfect companion for any high-quality speaker set-up.



### DALI CONNECT SC RM230C – High Definition Speaker Cable

With the impressive 74 strands (each 0.23 mm) copper wires this cable steps up its game and is ready to deliver a true high definition signal. Each conductor bundle is individually shielded in polyethylene (PE), and revolving around each other for even better mechanical hold. The outer shielding is covered with a black mesh adding a distinct look that will match any DALI speakers and many more.



### DALI CONNECT SC F222C – Premium Speaker Cable

The ridged structure and the lower impedance makes this cable perfect for piping over longer distances when used for install speaker setups. The 57 strands (each 0.22 mm) are embedded in a polyethylene (PE) shielding for better mechanical stabilisation, and less dielectric absorption. The flexible white outer shielding matches door frames, baseboards and walls, also offering the ability to conveniently tack to wooden panels.

















IN ADMIRATION OF MUSIC



Specifications:

										
	PHANTOM S-280	PHANTOM S-180	PHANTOM S-80	PHANTOM H-120	PHANTOM H-80	PHANTOM H-60	PHANTOM H-50	PHANTOM E-80	PHANTOM E-60	PHANTOM E-50
Frequency Range +/- 3 dB [Hz]	48 - 25,000	49 - 25,000	59 - 25,000	32 - 25,000	45 - 25,000	51 - 25,000	52 - 25,000	49 - 25,000	52 - 25,000	58 - 25,000
Sensitivity (2.83V/1m) [dB]	89	89	88	90.0	90	89	88	89.5	88	87
Nominal Impedance [ohm]	8	6	6	4	6	8	8	6	8	8
Maximum SPL [dB]	112	109	108	112	109	107	105	105	105	104
Crossover Frequency [Hz]	3,000 / 15,000	2,800 / 15,000	2,800 / 15,000	850 / 4000	2,350 Hz	1,900 Hz	2,450 Hz	3,200 Hz	3,300 Hz	3,600 Hz
Crossover Principle	2 1/2-way	2 1/2-way	2 1/2-way	3-way	2-way	2-way	2-way	2-way	2-way	2-way
Recommended Amplifier Power [Watt]	40 - 400	40 - 200	40 - 200	50 - 400	30 - 200	30 - 150	20 - 120	30 - 120	30 - 120	40 - 120
High Frequency Driver	1 x 29 mm soft dome 1 x 17 x 45 mm ribbon	1 x 28 mm soft dome 1 x 17 x 45 mm ribbon	1 x 28 mm soft dome 1 x 17 x 45 mm ribbon	1 x 28 mm soft dome	1 x 28 mm soft dome	1 x 28 mm soft dome	1 x 28 mm soft dome	1 x 28 mm soft dome	1 x 28 mm soft dome	1 x 28 mm soft dome
Low Frequency Driver/Mid-range Driver(s)	2 x 8" Wood Fibre Cones	8" Wood Fibre Cone	8" Wood Fibre Cone	1 x 5.25"/1 x 12"	1 x 8"	1 x 6 1/2"	1 x 5.25"	1 x 8"	1 x 6 1/2"	1 x 5.25"
Enclosure type	Passive Radiator Box 2 x 10" Slave	Passive Radiator Box 1 x 10" Slave	Closed Box	Open back	Open back	Open back	Open back	Open back	Open back	Open back
Connection Input	Single wire	Single wire	Single wire	Single wire	Single wire	Single wire	Single wire	Single wire	Single wire	Single wire
Functions	-	-	-	-	-	-	-	Normal/HF Tilt, Focus/Distributed	Normal/HF Tilt, Focus/Distributed	Normal/HF Tilt, Focus/Distributed
Dimensions (H x W x D) [cm]	152.7 x 52.7 x 11.0	89.8 x 45.3 x 11.0	46.8 x 40.3 x 11.0	471 x 471 x 17.0	33.5 x 33.5 x 10.6	30 x 30 x 9.5	27.5 x 27.5 x 9.5	Ø 29.4 x 10.9	Ø 25.8 x 9.95	Ø 23.0 x 9.95
Dimension (H x W x D) [inches]	6.01 x 20.7 x 4.3	35.4 x 17.8 x 4.3	25.5 x 15.9 x 4.3	18.5 x 18.5 x 6.7	13.2 x 13.2 x 4.2	11.8 x 11.8 x 3.7	10.8 x 10.8 x 3.7	Ø 11.6 x 4.3	Ø 10.2 x 3.9	Ø 9.1 x 3.9
Cut-out Dimensions (H x W X D) [cm]	149.5 x 49.5 x 10.3	86.5 x 42.0 x 10.3	61.5 x 37.0 x 10.3	44.5 x 44.5	29.9 x 29.9	26.4 x 26.4	23.9 x 23.9	Ø 26.1	Ø 22.5	Ø 19.9
Cut-out Dimensions (H x W X D) [inches]	58.9 x 19.5 x 4	34.1 x 16.5 x 4	24.2 x 14.6 x 4	17.6 x 17.6	11.8 x 11.8	10.4 x 10.4	9.4 x 9.4	Ø 10.3	Ø 10.3	Ø 7.83
Recommended Volume [litre]	-	-	-	50 - 100	15 - 100	10 - 35	5 - 25	10 - 100	5 - 50	5 - 35
Weight [kg/lbs]	35.0/77.2	18.5/40.8	13.5/29.8	9.0/19.8	3.30/7.29	2.60/5.75	2.15/4.75	2.36/5.15	1.92 x 4.25	1.58/3.50
Accessories	Manual, Cut-out Template, Allen Key	Manual, Cut-out Template, Allen Key	Manual, Cut-out Template, Allen Key	Manual, Cut-out Template, Allen Key, Logo Badge	Manual, Cut-out Template, Allen Key, Logo Badge	Manual, Cut-out Template, Allen Key, Logo Badge	Manual, Cut-out Template, Allen Key, Logo Badge	Manual, Cut-out Template, Allen Key, Logo badge	Manual, Cut-out Template, Allen Key, Logo badge	Manual, Cut-out Template, Allen Key, Logo badge
Optional Accessories	-	-	-	-	-	-	-	Square Grille	Square Grille	Square Grille

All technical specifications are subject to change without notice.