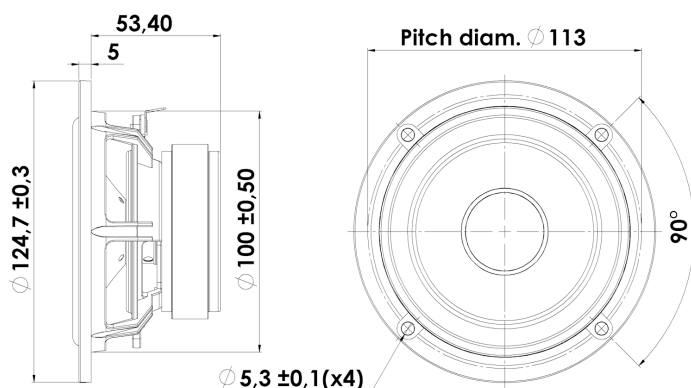


12 cm Midwoofer

12W/4524G00



T-S Parameters:

| | |
|-------------------------------|--------------------|
| Resonance frequency [fs] | 50 Hz |
| Mechanical Q factor [Qms] | 3.35 |
| Electrical Q factor [Qes] | 0.30 |
| Total Q factor [Qts] | 0.27 |
| Force factor [Bl] | 4.4 Tm |
| Mechanical resistance [Rms] | 0.57 kg/s |
| Moving mass [Mms] | 6.1 g |
| Compliance [Cms] | 1.67 mm/N |
| Effective diaph. diameter [D] | 86 mm |
| Effective piston area [Sd] | 59 cm ² |
| Equivalent volume [Vas] | 8.2 l |
| Sensitivity (2,83V/1m) | 89 dB |

Mechanical Data:

| | |
|-----------------------------|--------|
| Voice coil diameter | 25 mm |
| Voice coil height | 10 mm |
| Voice coil layers | 2 |
| Gap height | 4 mm |
| Linear excursion | ± 3 mm |
| Max mech. excursion | ± 9 mm |
| Unit weight | 1 kg |
| Cabinet Displacement Volume | 0.12 l |

Electrical Data:

| | |
|----------------------------|--------|
| Nominal impedance [Zn] | 4 Ω |
| Minimum impedance [Zmin] | 3.9 Ω |
| Maximum impedance [Zo] | 30.8 Ω |
| DC resistance [Re] | 3.1 Ω |
| Voice coil inductance [Le] | 0.4 mH |

Power Handling:

| | |
|--------------------------------|------|
| 100h RMS noise test (IEC 18.4) | 40 W |
| Long-term max power (IEC 18.2) | 70 W |
| X-over: | None |

Key Features:

- Wide Operating Frequency Range
- Suitable for 2-way or 3-way (as midrange)
- Coated NRSC Fibre Glass Cone (patent)
- Low Damping SBR Rubber Surround
- Die cast Alu Chassis vented below spider

Recommendations (please see Tech Note):

- Operating frequency range: fs-5000 Hz
- Cabinet volume - closed box: N.a.
- Cabinet volume - vented box: Vbox=3 ltr, fb=69 Hz, f(-3dB)=77 Hz

