

# Installation Products

In-Wall- and In-Ceiling-Loudspeaker

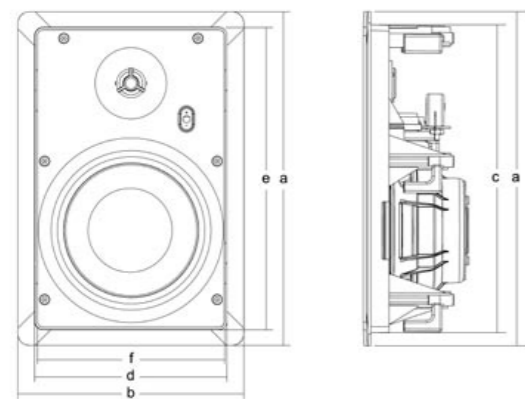
**DYN**AUDIO



## IW 17 In-Wall Installation Loudspeaker

High performance architectural audio with Dynaudio sound quality begins with the IW 17.

It features the core technologies Dynaudio has become renowned for: A geometrically optimized Magnesium Silicate Polymer (MSP) cone membrane, a specially coated soft dome tweeter and a high quality crossover comprised of select components. To make the IW 17 both cost effective and easy to install, the frame construction is built of lightweight yet rigid injection-moulded plastic. The IW 17 is intended for in-wall installations and can be used for almost any high quality stereo, multi-room, or multi-channel audio application.



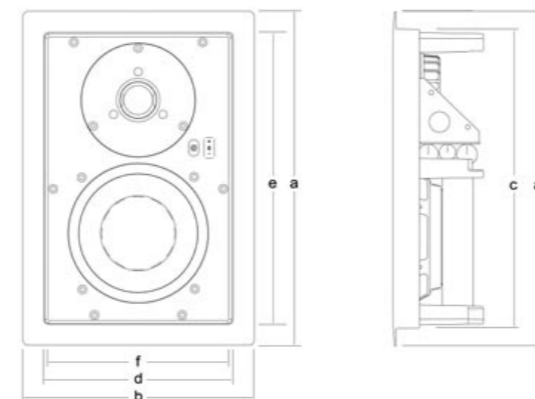
### Technical Specifications

Principle	2-Way
Mid/woofer	165 mm Cone
Tweeter	21 mm Soft dome
Sound level adjust	± 2 dB
Sensitivity (2.83 V/1 m)	88 dB
IEC Long Term Power Handling	100 W
Impedance (nominal)	4-6 ohms
Frequency Response (± 3 dB)	45 Hz – 25 kHz
Dimensions (W x H)	195 x 289 mm
Weight	1.7 kg

Mounting Frame:	a	Height:	289 mm (11.38")
	b	Width:	195 mm (7.68")
Cut out:	c	Height:	267 mm (10.51")
	d	Width:	166 mm (6.54")
Grille:	e	Height:	262 mm (10.31")
	f	Width:	162 mm (6.38")
Minimum depth required:			105 mm (4.13")

## IP 17 In-Wall Installation Loudspeaker

The IP 17's mechanical construction is a clear departure from conventional in-wall loudspeakers: An extremely rigid and durable die-cast aluminium frame serves as the backbone. Dynaudio doesn't compromise on the baffle either: CNC-machined from MDF, it provides the perfect resonance-absorbing foundation for the MSP mid/bass driver, the soft dome tweeter and the high-grade crossover. With the IP 17, Dynaudio not only delivers extremely high quality sound to even the most demanding installations, but one of the most advanced frame constructions available in the custom install speaker market.



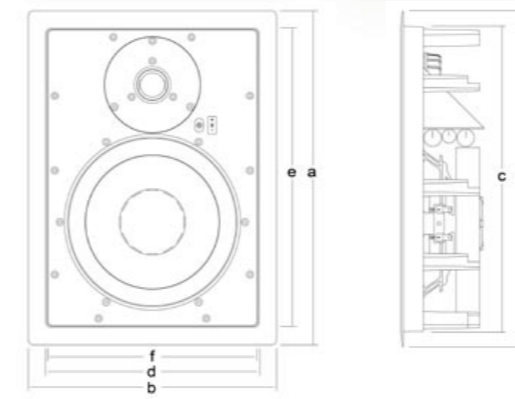
### Technical Specifications

Principle	2-Way
Mid/woofer	165 mm Cone
Tweeter	28 mm Soft dome
Sound level adjust	± 1.5 dB
Sensitivity (2.83 V/1 m)	88 dB
IEC Long Term Power Handling	150 W
Impedance (nominal)	8 ohms
Frequency Response (± 3 dB)	45 Hz – 23 kHz
Dimensions (W x H)	225 x 325 mm
Weight	3 kg

Aluminium Mounting Frame:	a	Height:	325 mm (12.8")
	b	Width:	225 mm (8.86")
Cut out:	c	Height:	295 mm (11.61")
	d	Width:	194 mm (7.64")
Grille:	e	Height:	285 mm (11.22")
	f	Width:	185 mm (7.28")
Minimum depth required:			92 mm (3.62")

## IP 24 In-Wall Installation Loudspeaker

The IP 24 features the same advanced construction as the more compact IP 17: An extremely sturdy, durable die-cast aluminium frame and a MDF baffle serve as a resonance-absorbing foundation for the innovative Dynaudio technology incorporated within. In order to achieve a precise midrange and a deep bass response with ideal dispersion, the IP 24 employs a very large geometrically optimized MSP cone mid/bass driver. The specially coated soft-dome tweeter and the ultra high-quality crossover further ensure a well balanced, homogenous sound. Even at very high frequencies or high output levels, the IP 24 remains free of distortion or harshness typical of lesser quality in-wall speakers, while achieving a level of fidelity that is authentic Dynaudio.



### Technical Specifications

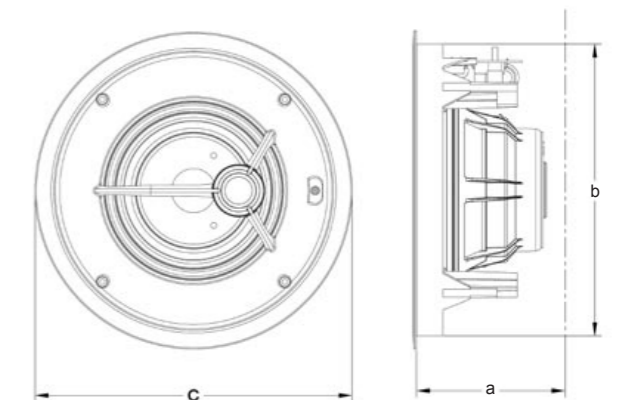
Principle	2-Way
Mid/woofer	240 mm Cone
Tweeter	28 mm Soft dome
Sound level adjust	± 1.5 dB
Sensitivity (2.83 V/1 m)	90 dB
IEC Long Term Power Handling	150 W
Impedance (nominal)	4 ohms
Frequency Response (± 3 dB)	40 Hz – 23 kHz
Dimensions (W x H)	286 x 385 mm
Weight	3.5 kg

Aluminium Mounting Frame:	a	Height:	385 mm (15.16")
	b	Width:	286 mm (11.26")
Cut out:	c	Height:	351 mm (13.82")
	d	Width:	252 mm (9.92")
Grille:	e	Height:	343 mm (13.5")
	f	Width:	244 mm (9.61")
Minimum depth required:			92 mm (3.62")

## IC 17 In-Ceiling Installation Loudspeaker

The IC 17 is also equipped with Dynaudio's exclusive MSP membrane mid/bass driver, a coated soft dome tweeter and high quality crossover components to guarantee the celebrated Dynaudio sound quality.

The directivity characteristics, with the tweeter mounted slightly off-center, and all other performance parameters are precisely optimized for in-ceiling integration. The special frame material, assembly geometry and the entire construction is exceptionally strong to absorb external resonance and vibration, yet at the same time lightweight enough for suspended plasterboard ceilings. The IC 17 integrates discretely into any room, while delivering pure Dynaudio performance.



### Technical Specifications

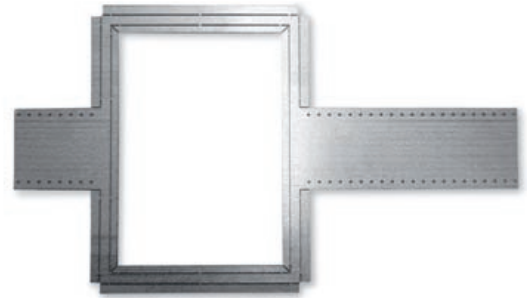
Principle	2-Way
Mid/woofer	165 mm Cone
Tweeter	21 mm Soft dome
Sound level adjust	Tweeter: ± 2 dB
Sensitivity (2.83 V/1 m)	88 dB
IEC Long Term Power Handling	100 W
Impedance (nominal)	4 - 6 ohms
Frequency Response (± 3 dB)	45 Hz – 25 kHz
Dimensions (ø)	ø 236 mm
Weight	1.5 kg

Diameter:	c	236 mm (9.29")
Cut out:	b	218 mm (8.58")
Minimum depth required:	a	110 mm (4.33")

## Pre-Construction Bracket

---

Dynaudio Pre-Construction Brackets are available to better facilitate new construction installations of the Dynaudio IP 17 and IP 24 in-wall loudspeaker models by working both as a cutout template as well as a structural support for the installation. The brackets serve as a guide to the dry wall/sheet rock installer in order to help them ensure that the loudspeaker cut-out holes are in the desired location upon completion of the dry wall installation.



---

## Relive music.

A passion for music is something special. Music allows us to experience so much more than just sound. Through a vast knowledge and understanding of music reproduction, the loudspeaker specialists at Dynaudio have invented a unique driver technology that renders music in perfect authenticity. Dynaudio "Authentic Fidelity" is much more than refined technical details and dedicated craftsmanship. Listening to a Dynaudio loudspeaker is like listening to music for the very first time. It is to "relive music".

**Dynaudio A/S**, 8660 Skanderborg, Denmark

Sales & Marketing

**Dynaudio International GmbH**, Ohepark 2, 21224 Rosengarten, Germany, Phone+49 4108 - 41 80 - 0

[www.dynaudio.com](http://www.dynaudio.com)